

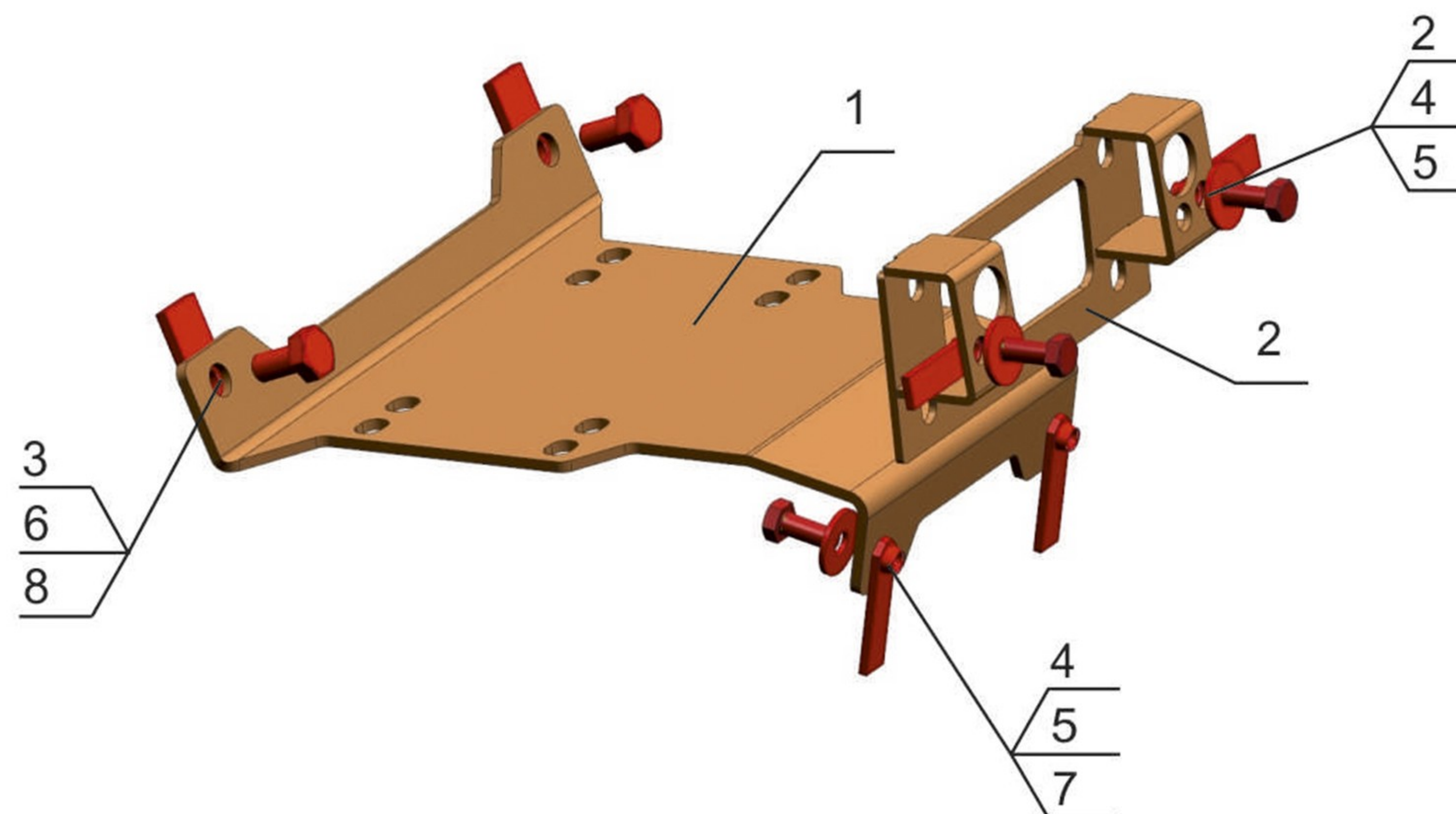
Polaris / RZR 1000

No: 2444.7419.2
Brend: Polaris
Model: RZR 1000
Year: 2013-
Material: St - 4 mm



Content

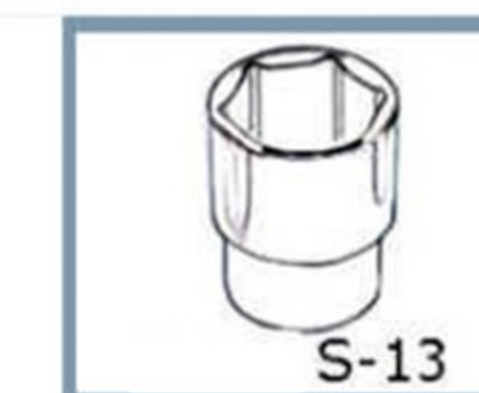
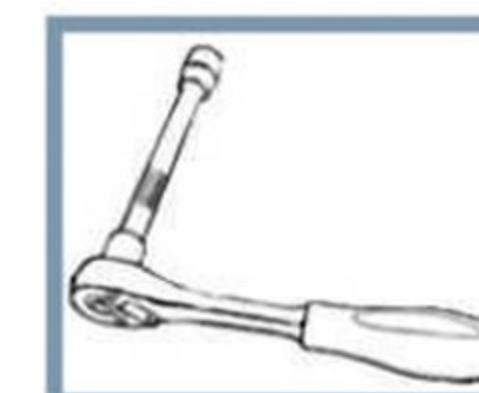
1. Plate 1.....	1 pc
2. Plate 2.....	1 pc
3. Insert nut M10.....	2 pc
4. Insert nut M8.....	4 pc
5. Bolt M8x20.....	4 pc
6. Bolt M10x20.....	2 pc
7. Washer 8.....	4 pc
8. Washer 10.....	2 pc



Installation Instructions

1. Mount plate 1 on underframe. Fix rear end of plate 1 to underframe through original holes with bolts no. 6, washers no. 8 and insert nuts no. 3, 4. Fix front end of plate 1 to underframe through original holes with bolts no. 5, washers no. 7.
2. Fix plate 2 with original bolts.
3. Tighten all screws.

TOOLS REQUIRED



SCREW FORCE

