

Can-am Maverick X3

Part NO: 2444.7247.1
Brand: Can-am
Model: Maverick X3
Year: 2017-
Material: Aluminum, 2 mm

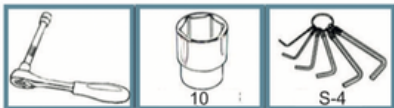
PARTS LISTING

- | | |
|--------------------------|--------|
| 1. Right side panel..... | 1 pc. |
| 2. Left side panel..... | 1 pc. |
| 3. Door sealing..... | 1 pc. |
| 4. Screw M6x50..... | 6 pc. |
| 5. Nut M6..... | 6 pc. |
| 6. Washer 6..... | 12 pc. |

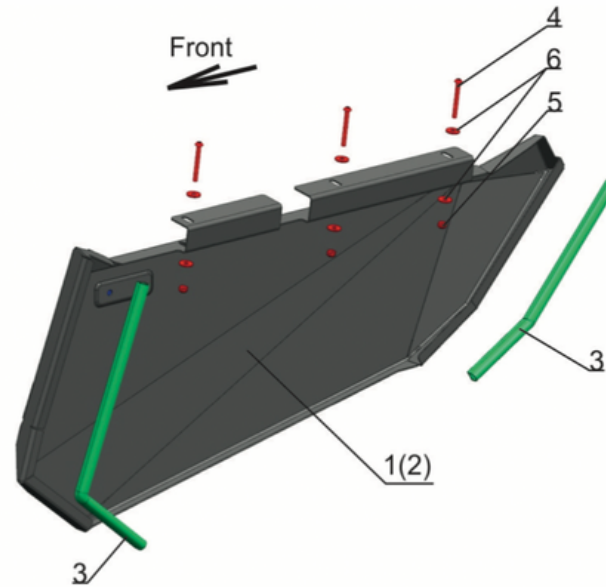
INSTALLATION MANUAL

1. Remove the original small plastic covers from the door frame by unscrewing 2 screws (shown on pic. 1 with arrows).
2. Degrease and heat the surfaces and then stick door sealing no.3 to lower door panels no. 1 and no.2 as shown on the scheme and pic.2
3. Mount the lower door panels on the doors and then fix them by screws M6x50 no.4, nuts M6 no.5 and washers 6 no.6. Adjust the position of the lower door panels relative to the doors.
4. Tighten all the screws.

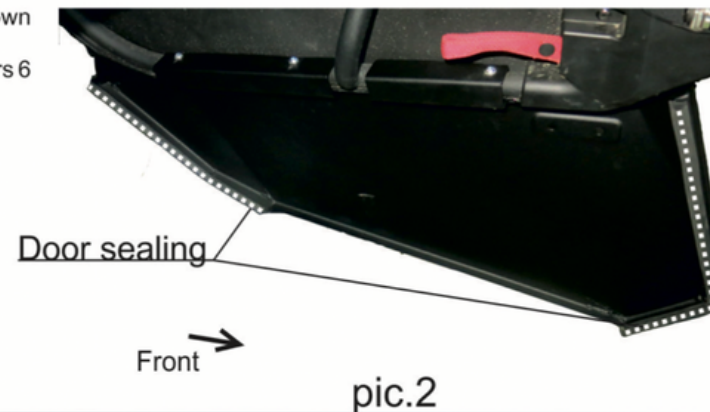
TOOLS REQUIRED



SCREW FORCE



pic.1



pic.2